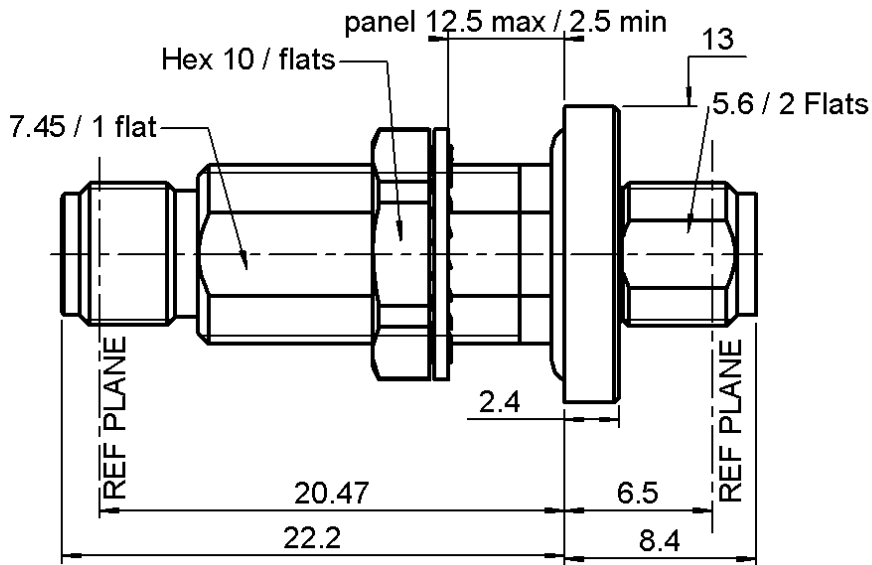


**FEMALE-FEMALE BULKHEAD ADAPTOR**

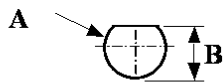
**R125.753.200**

**HERMETIC**

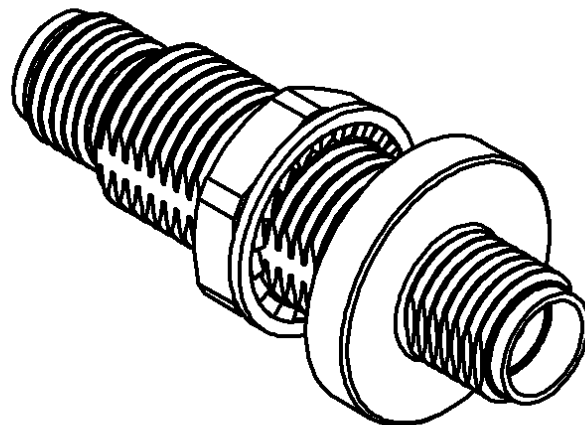
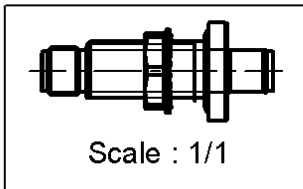
Series : SMA



**PANEL CUT OUT**



mm		
	Maxi	mini
A	8.2	8.1
B	7.6	7.5



All dimensions are in mm.



COMPONENTS	MATERIALS	PLATINGS (µm)
BODY	STAINLESS STEEL	GOLD 0.5 OVER NICKEL 2
CENTER CONTACT	BERYLLIUM COPPER	GOLD 1.3 OVER NICKEL 2
OUTER CONTACT	-	-
INSULATOR	PTFE	-
GASKET	SILICONE RUBBER	-
OTHERS PARTS	STAINLESS STEEL	GOLD 0.5 OVER NICKEL 2
-	-	-
-	-	-

Issue : 0402 C

In the effort to improve our products, we reserve the right to make changes judged to be necessary.



**FEMALE-FEMALE BULKHEAD ADAPTOR**

**R125.753.200**

**HERMETIC**

Series : SMA

**PACKAGING**

**SPECIFICATION**

Standard	Unit	Other
<b>1</b>	-	<b>Contact us</b>

**ELECTRICAL CHARACTERISTICS**

**ENVIRONMENTAL**

Impedance		<b>50</b> Ω
Frequency		<b>0-18</b> GHz
VSWR	<b>1.10</b> +	<b>0.010</b> x F(GHz) Maxi
Insertion loss		<b>0.3</b> √F(GHz) dB Maxi
RF leakage	- (	<b>NA</b> - F(GHz)) dB Maxi
Voltage rating		<b>500</b> Veff Maxi
Dielectric withstanding voltage		<b>1000</b> Veff mini
Insulation resistance		<b>5000</b> MΩ mini

Operating temperature	<b>-40/+100</b> ° C
Hermetic seal	<b>10-5</b> Atm.cm3/s
Panel leakage	<b>NA</b>

**OTHERS CHARACTERISTICS**

Assembly instruction

Others :

**MECHANICAL CHARACTERISTICS**

Center contact retention		
Axial force – Mating end		<b>27</b> N mini
Axial force – Opposite end		<b>27</b> N mini
Torque		<b>NA</b> N.cm mini
Recommended torque		
Mating		<b>NA</b> N.cm
Panel nut		<b>170</b> N.cm
Mating life		<b>500</b> Cycles mini
Weight		<b>0.000</b> g

Issue : 0402 C

In the effort to improve our products, we reserve the right to make changes judged to be necessary.

